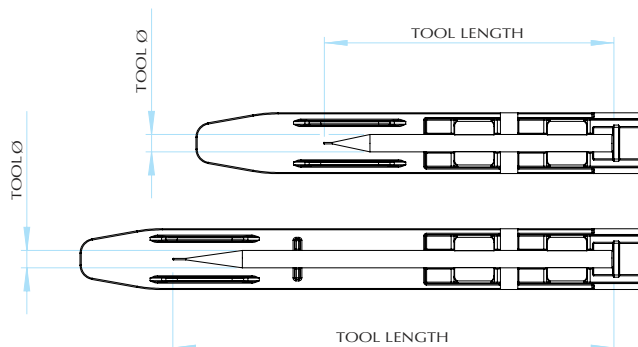
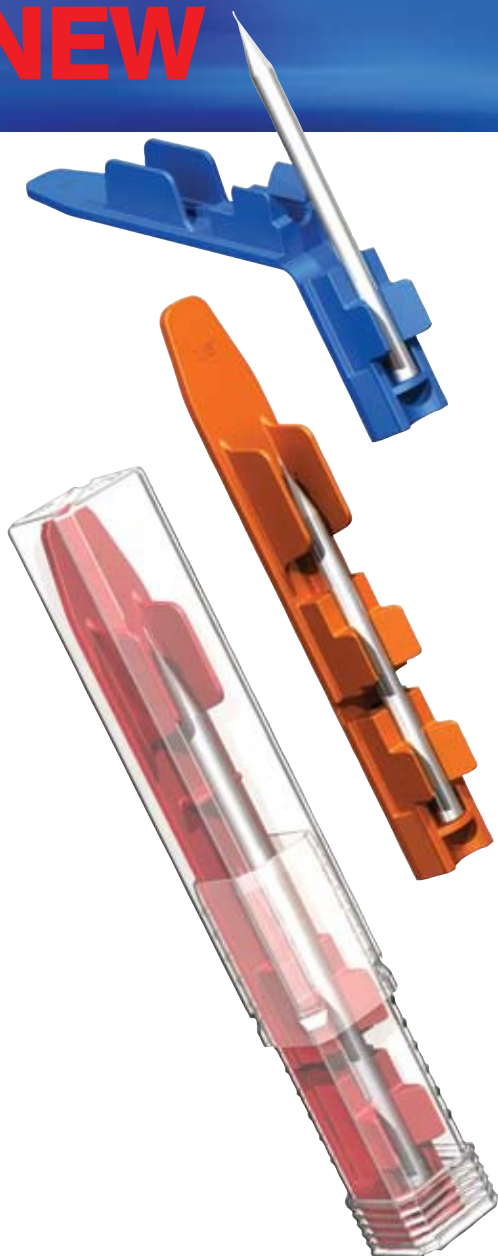


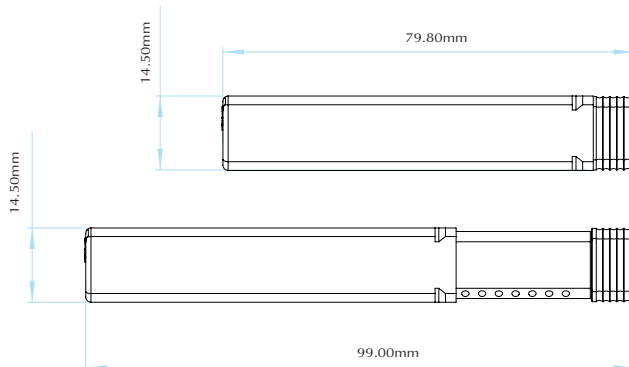
# NEW

# MICRO TOOL HOLDERS



REFERENCE NO.	TOOL DIAMETER	TOOL LENGTH
MHM01	3mm	38 - 50mm
MHM02	4mm	38 - 50mm
MHM03	5mm	38 - 50mm
MHM04	6mm	38 - 50mm
MHM05	3mm	63 - 76mm
MHM06	4mm	63 - 76mm
MHM07	5mm	63 - 76mm
MHM08	6mm	63 - 76mm
MHF01	1/8	1 1/2 - 2
MHF02	3/16	1 1/2 - 2
MHF03	1/4	1 1/2 - 2
MHF04	1/8	2 1/2 - 3
MHF05	3/16	2 1/2 - 3
MHF06	1/4	2 1/2 - 3

Supplied with outer Protective Tube, RB11 - 76/102



- Innovative solution for packing high quality Micro Cutters.
- All-round protection prevents damage during loading and transit.
- Flexible Hinge allows for easy tool removal.
- RB tubes provide ideal protection and excellent presentation.
- Colour co-ordinated with coloured holder and clear outer tube.



## MICRO TOOL HOLDERS

**STANDARD COLOURS:** Red, Green (Light, Medium & Dark), Blue (Light, Medium & Dark), Orange, Yellow (Light & Dark), Black and Natural.

## RB OUTER TUBES

**STANDARD COLOURS:** Clear PVC, Transparent PP and all the above colours in HDPE.

**WILLIAM BECKETT**  
PLASTIC PACKAGING